

## ***Classic Closed***

*Perfect for your full-service department, or as the cornerstone of your florist shop, use this attractive closed case alone or as a back-up to your open displays. Its unique design offers the best visibility and quietest operation of any closed case in the market today.*



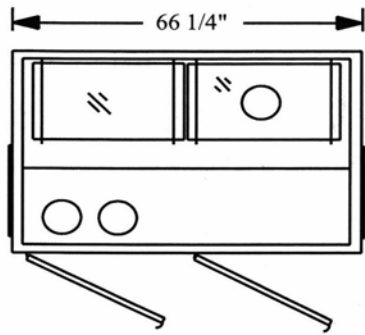
*Shown with select options*

### ***Standard Features***

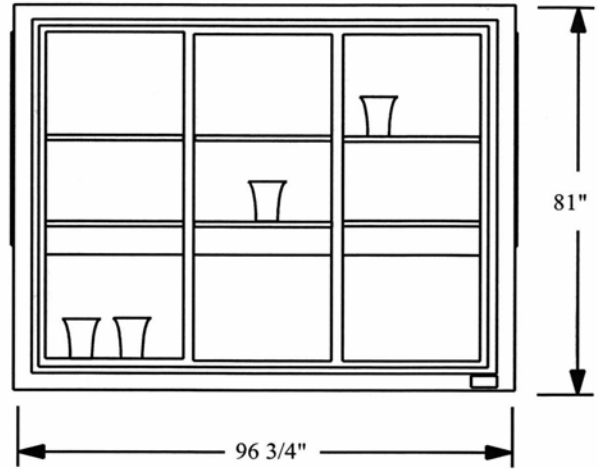
- High density laminated panels and powder coated aluminum components for durability
- Modular design, can be combined with other displays to form endless configurations
- Double pane Anthony doors, extra large for product visibility
- “Maintenance Free” return air grill prevents debris from entering the cooling system
- Oversized evaporator coil minimizes moisture removal, keeping relative humidity high
- Factory installed bottom mount refrigeration eliminates noise and installation problems of top mounted refrigeration
- Thermostatically controlled with an automatic “on demand” defrost cycle
- Mounted on 4 lockable swivel casters
- Matte black exterior and interior are standard
- Automatic condensate removal, no drains required
- Ozone friendly 404a refrigerant; R22 available
- High intensity electronic lighting system (ELS) enhances product visibility without glare
- Two (2) 16” deep adjustable tempered glass shelves per door
- Power cord provided for safe and easy set-up

### ***Options***

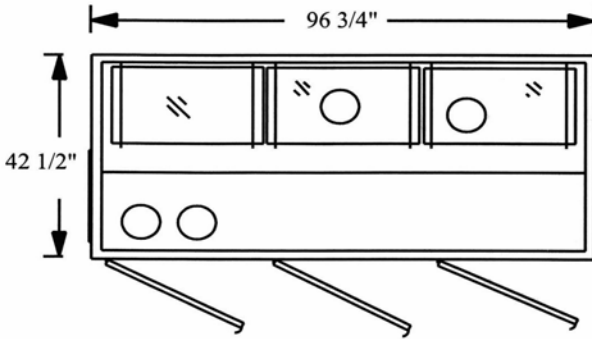
- Triple pane, energy-free, “Frameless” Anthony door system
- Double pane side windows
- Special finishes and colors in gloss or matte
- Door locks
- Remote refrigeration system
- Additional shelving
- 4 year extended compressor warranty—5 year total



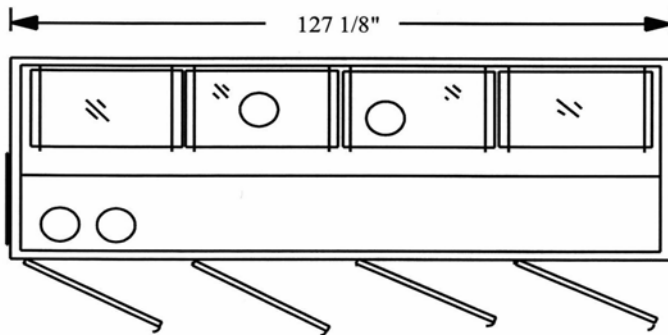
Classic Closed 2-Door Model



Classic Closed 3-Door Model



Classic Closed 3-Door Model



Classic Closed 4-Door Model

## Specifications



Approved to UL471 and CSA C22.2

Model	Width	Height	Depth	Ship (lbs)	Unit HP	Electrical	Amps	Interior Volume
2 Door	66 1/4"	81"	42 1/2"	550	1/2	208-230/115/60/1	20	95 cubic feet
3 Door	96 3/4"	81"	42 1/2"	950	1/2	208-230/115/60/1	20	135 cubic feet
4 Door	127 1/8"	81"	42 1/2"	1200	3/4	208-230/115/60/1	20	175 cubic feet

The **Classic Closed** is designed for use in air conditioned areas having a maximum temperature of 75°F or maximum relative humidity of 50%.

Unit covered by Patent No. 400,030 & 5,860,289

**Always Open®** Impulse merchandisers      **Classic** Full service merchandisers  
 7000 Performance Drive • N. Syracuse, NY 13212 • 800-535-3295 • 315-452-7440 • Fax 315-452-7420 •

Website: [www.floratech.net](http://www.floratech.net)